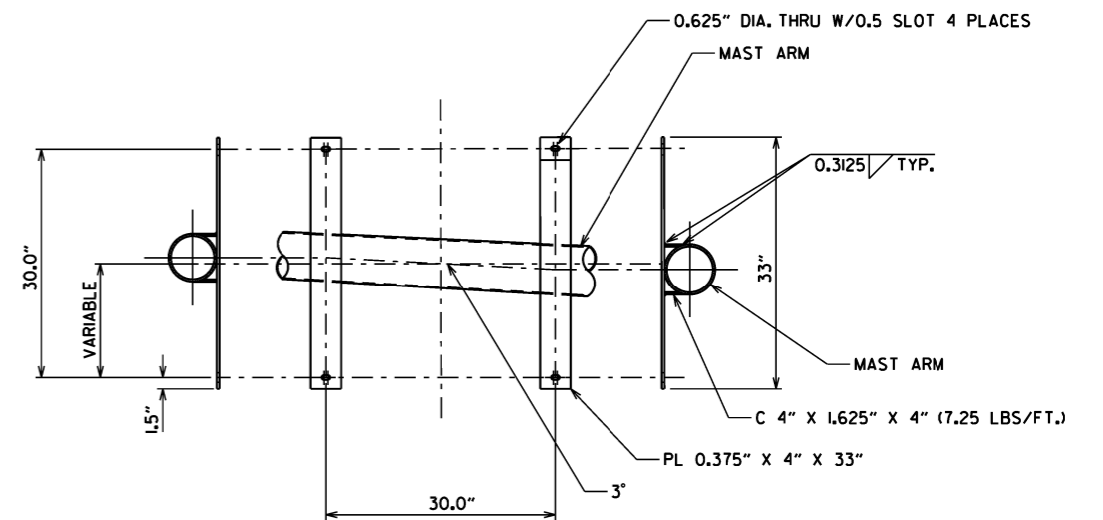


NOTES

1. THE SIGN MOUNTING BRACKET SHALL BE SUBSIDIARY TO THE PAY ITEM - TRAFFIC SIGNAL MAST ARM AND POLE WITH FOUNDATION.
2. MAST ARM, POLE, HARDWARE, AND MOUNTING BRACKET SHALL BE GALVANIZED IN ACCORDANCE WITH SECTION 714.
3. A COMMERCIAL MANUFACTURED MOUNTING PLATE OR BRACKET MAY BE SUBMITTED FOR APPROVAL IN LIEU OF THE MOUNTING PLATE SHOWN.
4. EACH SIGNAL HEAD SHALL HAVE A SEPARATE 5 CONDUCTOR SIGNAL CABLE.



MOUNTING BRACKET
N.T.S.

OVERHEAD SIGN MOUNTING DETAILS
N.T.S.

| | | |
|---------|----------------------------|-----------|
| 9-12-13 | ISSUED AS STANDARD DRAWING | |
| 4-17-08 | MINOR REVISIONS | |
| 6-21-06 | REVISED | |
| 4-14-03 | REVISED | |
| 7-14-95 | ISSUED | |
| DATE | REVISION | DATE FILM |

ARKANSAS STATE HIGHWAY COMMISSION
OVERHEAD SIGN DETAILS
 (OVERHEAD SIGN MOUNTED ON STEEL POLE WITH MAST ARM)
 STANDARD DRAWING SD-16