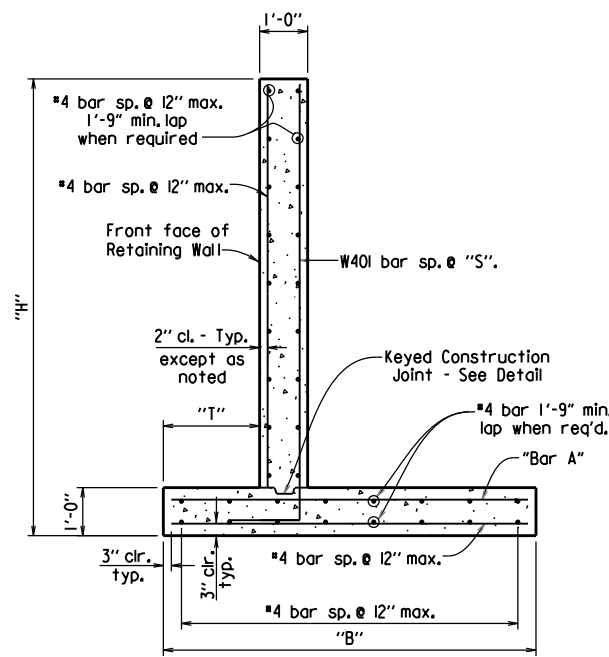


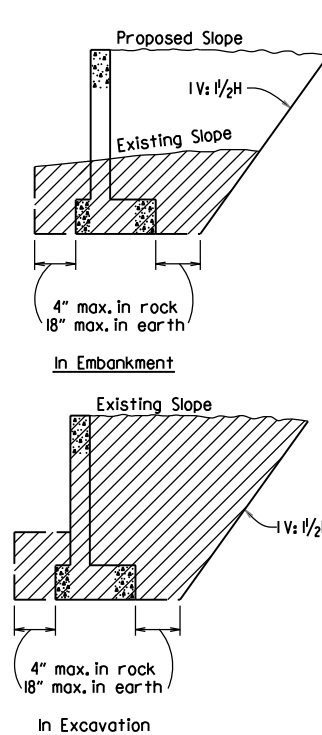
TYPICAL DRAINAGE & BACKFILL DETAILS

N.T.S.



TYPICAL SECTION

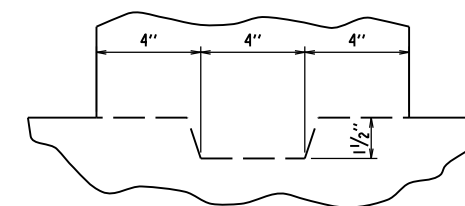
N.T.S.



NOTE: Hatched area denotes maximum limits of pay excavation.

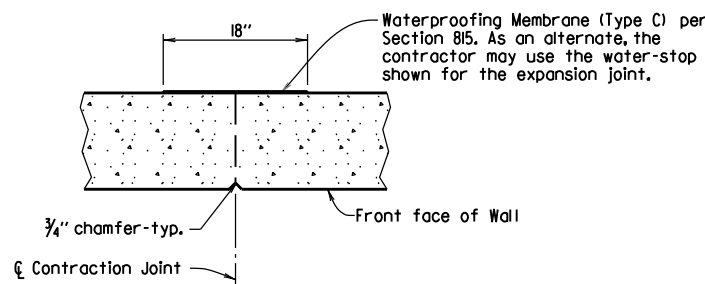
DETAILS OF EXCAVATION

N.T.S.



KEYED CONSTRUCTION JOINT DETAIL

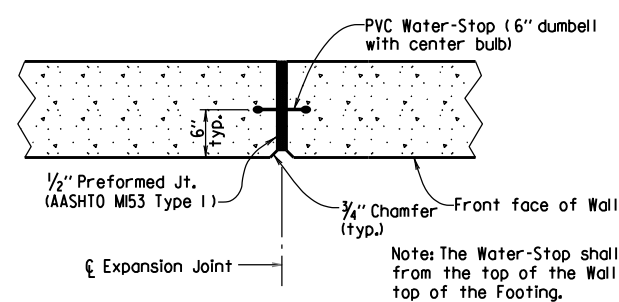
N.T.S.



TYPICAL CONTRACTION JOINT DETAIL

N.T.S.

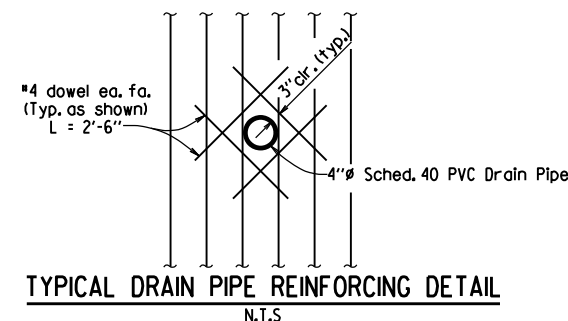
Note: 20'-0" Max. Spacing between Contraction Joints. Horizontal reinforcement shall be continuous through Contraction joints.



TYPICAL EXPANSION JOINT DETAIL

N.T.S.

Note: 60'-0" Max. Spacing between Expansion Joints. Horizontal reinforcing shall stop 2" from Expansion Joint.



TYPICAL DRAIN PIPE REINFORCING DETAIL

N.T.S.

SEISMIC ZONE: These walls have been designed for the following site adjusted peak ground accelerations (A_g):
 Level Backfill - $A_g \leq .40g$
 Sloped Backfill (1V:2H max.) - $A_g \leq .30g$

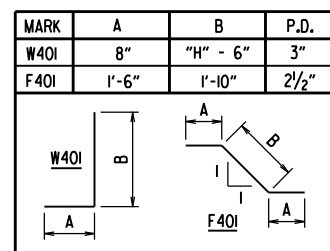
TABLE OF RETAINING WALL VARIABLES (LEVEL BACKFILL)

"H"	"T"	"B"	"S"	"Bar A" Size & Spacing
3'-0"	9"	2'-6"	12"	#4 @ 12"
4'-0"	9"	3'-6"	12"	#4 @ 12"
5'-0"	9"	4'-0"	12"	#4 @ 12"
6'-0"	9"	4'-6"	12"	#4 @ 12"
7'-0"	9"	5'-6"	12"	#4 @ 10"
8'-0"	9"	6'-0"	12"	#5 @ 10"
9'-0"	1'-0"	7'-0"	12"	#5 @ 6 1/2"

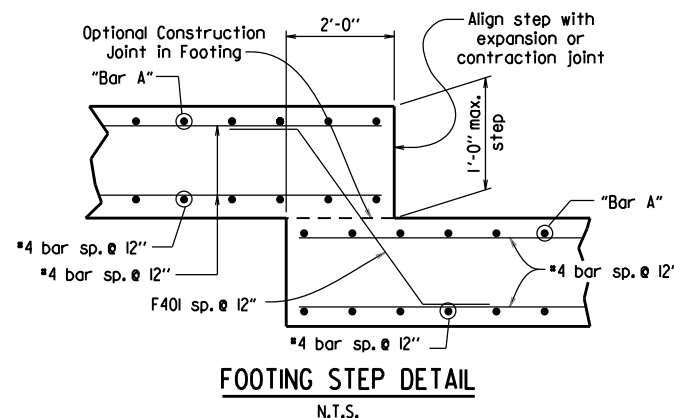
TABLE OF RETAINING WALL VARIABLES (SLOPED BACKFILL) (1V:2H MAX.)

"H"	"T"	"B"	"S"	"Bar A" Size & Spacing
3'-0"	9"	2'-6"	12"	#4 @ 12"
4'-0"	9"	3'-6"	12"	#4 @ 12"
5'-0"	9"	4'-6"	12"	#4 @ 12"
6'-0"	9"	5'-6"	12"	#4 @ 6"
7'-0"	9"	6'-6"	12"	#5 @ 6 1/2"
8'-0"	1'-6"	8'-0"	7 1/2"	#6 @ 6"
9'-0"	1'-11"	9'-6"	5"	#8 @ 6"

BENDING DIAGRAMS



Dimensions are out to out of bars.



FOOTING STEP DETAIL

N.T.S.

DATE	REVISION	DATE FILMED
5-12-16	REVISED SLOPES FOR SELECT BACKFILL	
2-27-14	REVISED GENERAL NOTES	
7-26-12	DRAWING ISSUED	

ARKANSAS STATE HIGHWAY COMMISSION

REINFORCED CONCRETE RETAINING WALL (WITHOUT LIVE LOAD SURCHARGE)

STANDARD DRAWING SI - 2

