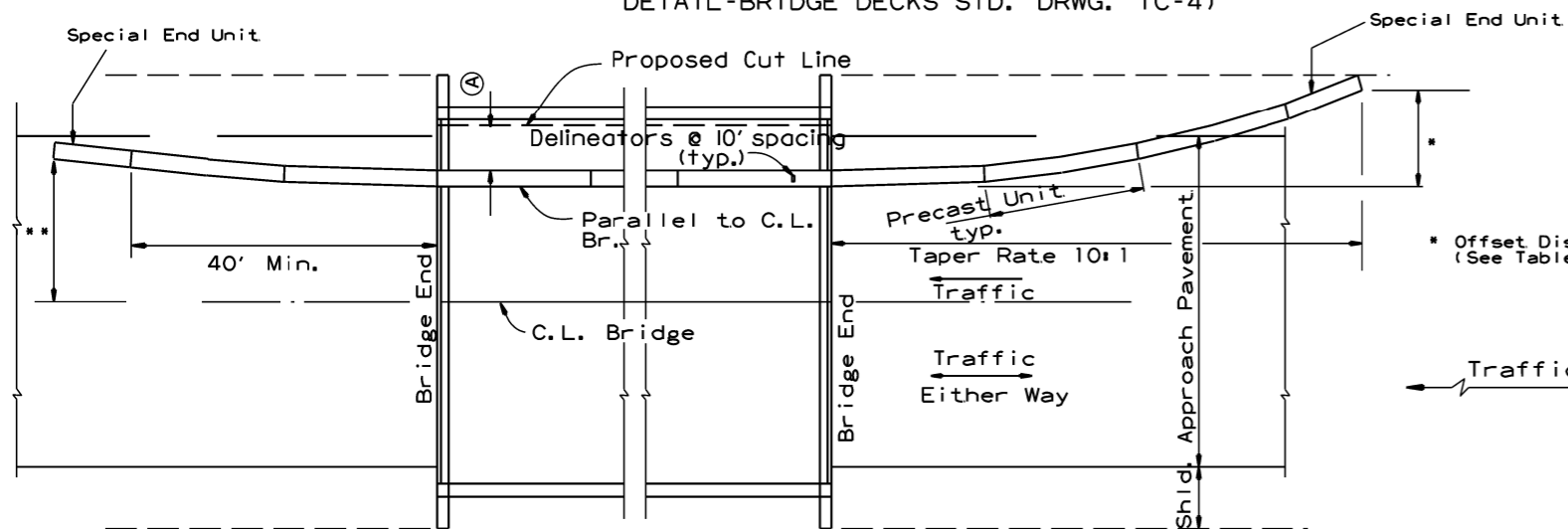


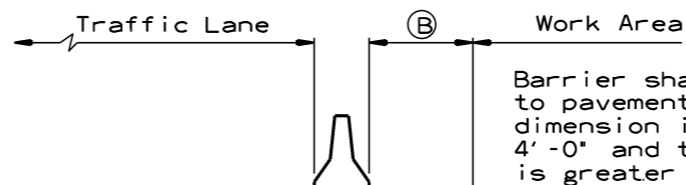
(A) 4 feet or greater preferred. If less than 4 feet, Precast Units shall be connected to slab (SEE BARRIER STABILIZATION DETAIL-BRIDGE DECKS STD. DRWG. TC-4)



**BARRIER PLACEMENT ALONG BRIDGE WITH OFFSET**

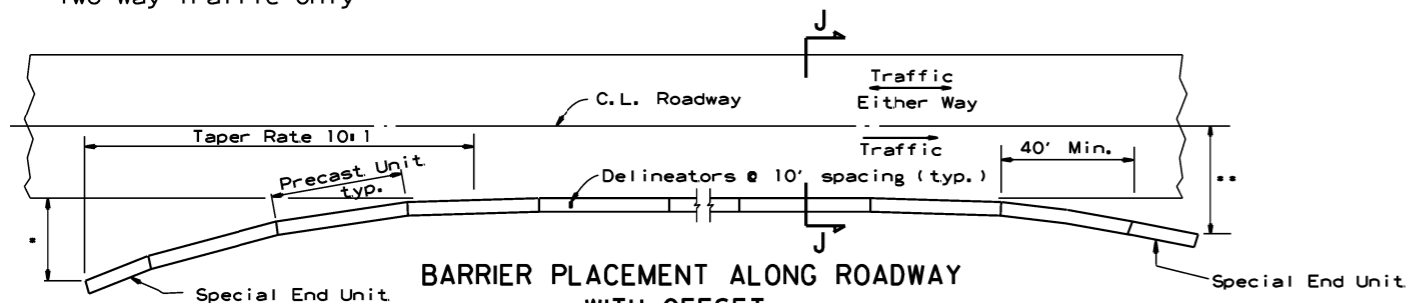
No Scale

\*\* Offset Distance for Two Way Traffic Only



**SECTION J-J**

No Scale



**BARRIER PLACEMENT ALONG ROADWAY WITH OFFSET**

No Scale

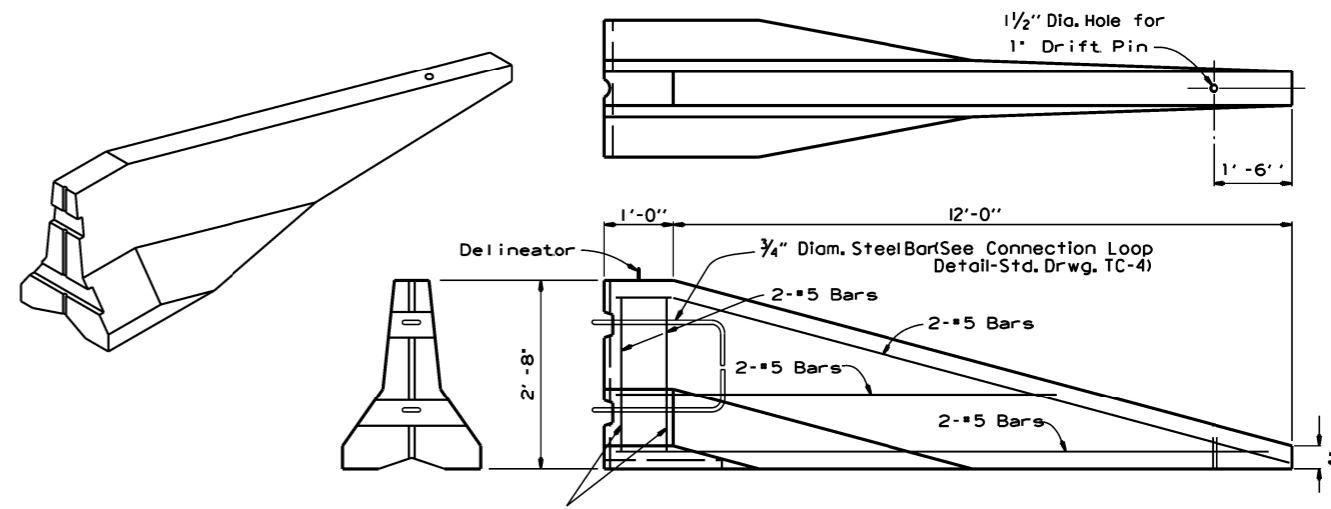
\*\* Offset Distance For Two Way Traffic Only

\* Offset Distance (See Table)

Offset Distance Table

Speed (MPH)	Offset Distance (FT.)
≤ 45	12
> 45	18

If offset distance is not attainable, then see "Barrier Placement With Attenuator" Detail shown below.

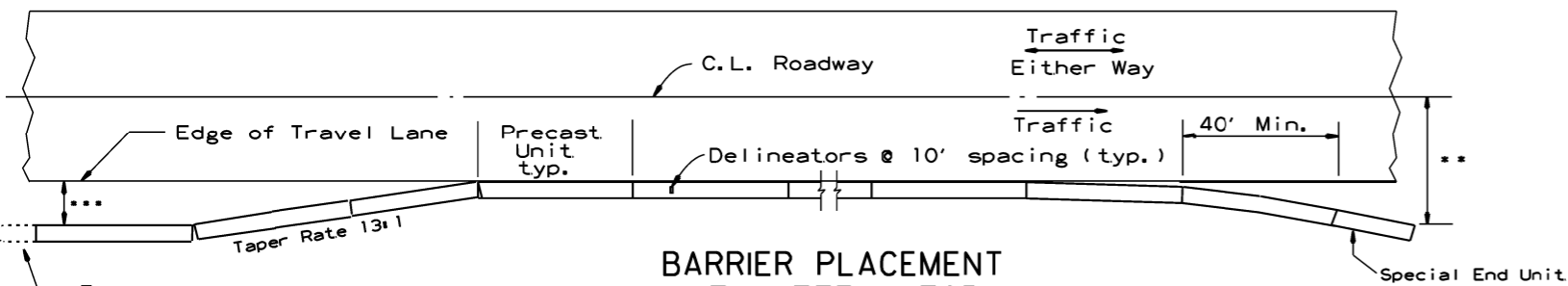


**SPECIAL END UNIT**

No Scale

General Notes

When shown on the Plans, the ends of the Temporary Precast Concrete Barrier shall be protected with an NCHRP-350 or Manual For Assessing Safety Hardware (MASH) approved Crash Cushion. Payment for Crash Cushions shall be made under the item of "Temporary Impact Attenuation Barrier."



**BARRIER PLACEMENT WITH ATTENUATOR**

No Scale

\*\* Offset Distance For Two Way Traffic Only

\*\*\* Min. 3'-0" From Edge of Travel Lane to Nearest Edge of Attenuator

DATE	REVISION	FILED
10-15-09	ADDED REFERENCE TO MASH	
5-25-06	REVISED BARRIER PLACEMENT	
8-22-02	ISSUED NEW DRAWING	

ARKANSAS STATE HIGHWAY COMMISSION

STANDARD TRAFFIC CONTROLS  
FOR HIGHWAY CONSTRUCTION -  
TEMPORARY PRECAST BARRIER

STANDARD DRAWING TC-5