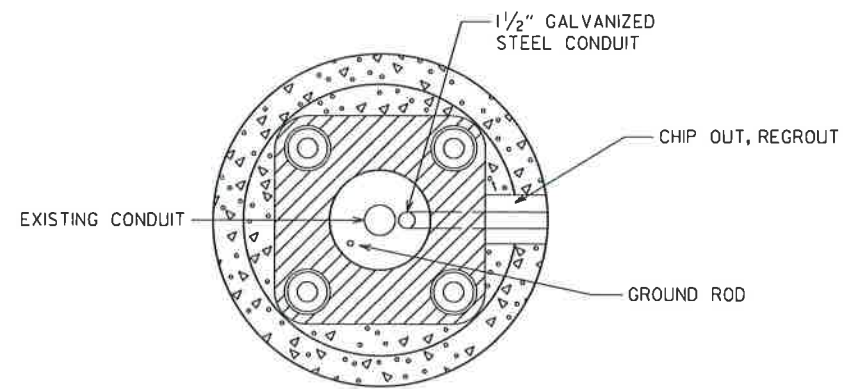
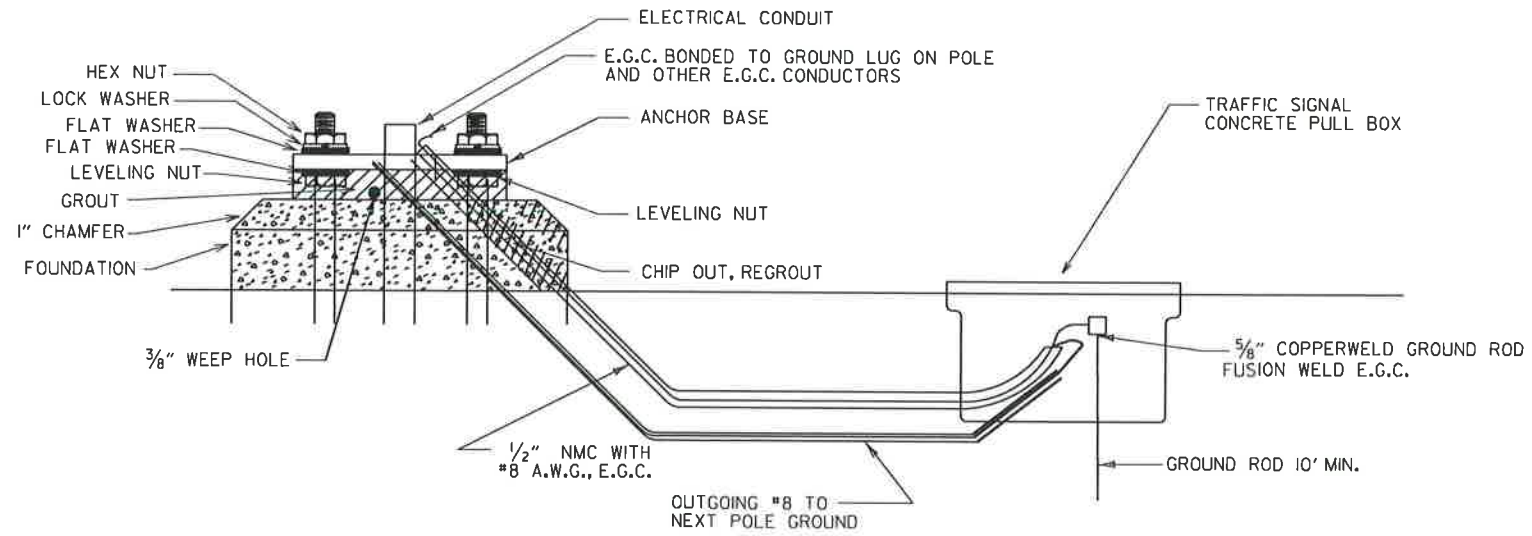


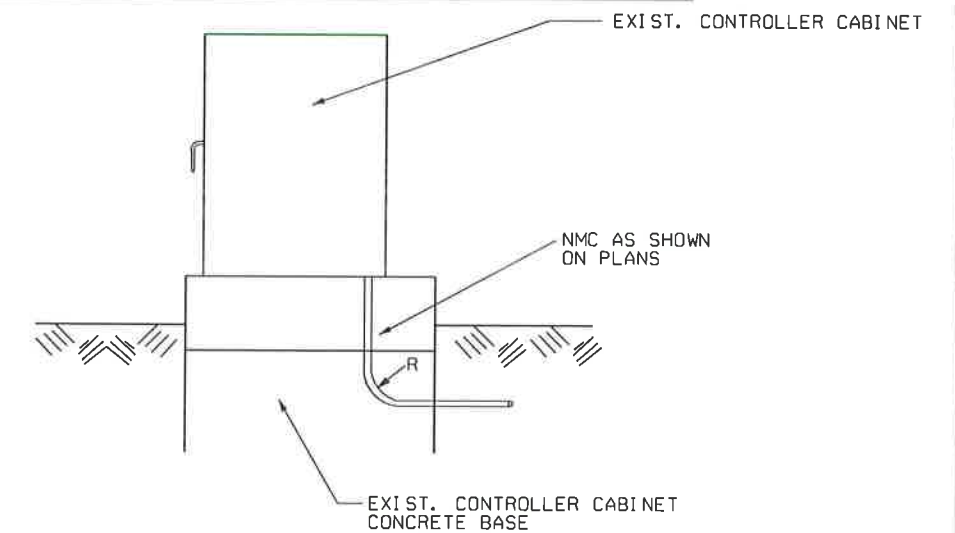
CONDUIT ENTRY TO EXISTING POLE BASE



ANCHOR BASE

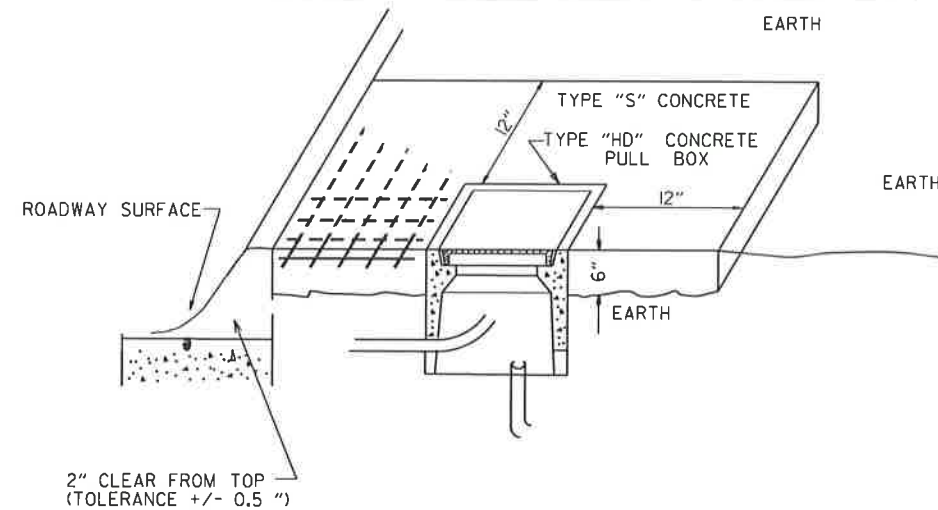


CONDUIT ENTRY TO EXISTING CONTROLLER CABINET

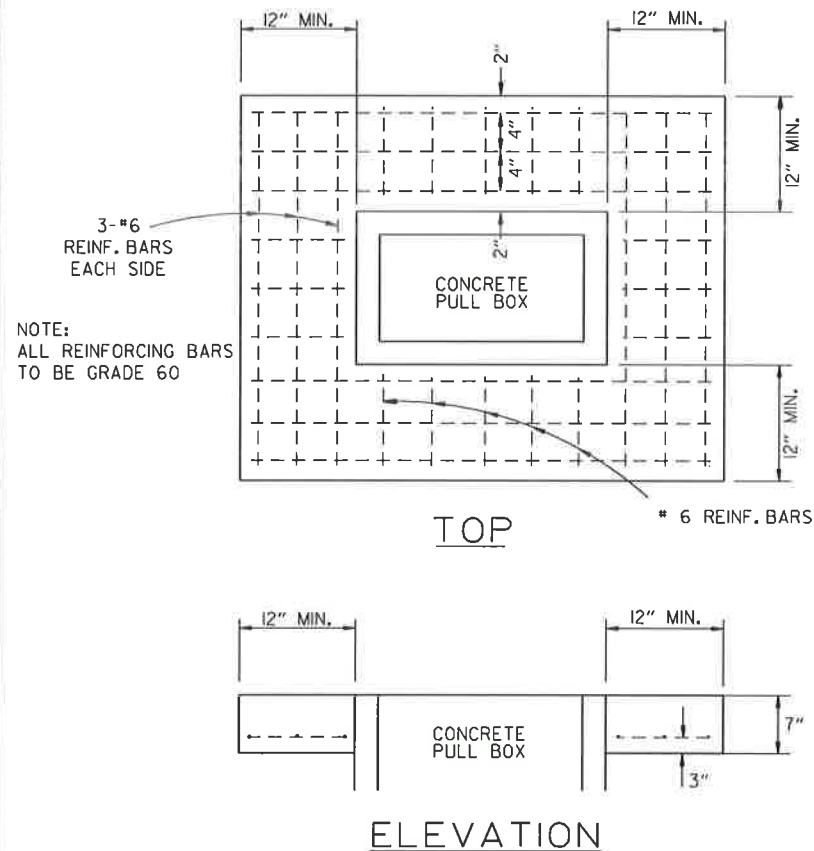


NOTE: ENTRY TO CABINET SHALL BE THROUGH A CUT IN THE BASE SUFFICIENT TO PROVIDE ADEQUATE CONDUIT RADIUS FOR ITEM.

TYPE "HD" CONCRETE PULL BOX DETAIL



NOTE: ALL TYPE 1 AND TYPE 2 HD CONCRETE PULL BOXES ARE INSTALLED WITH AN APRON OF CONCRETE 12" WIDE AND 7" IN DEPTH. ALL PAYMENT SHALL BE INCLUDED IN THE PRICE OF THE TYPE HD CONCRETE PULL BOX. THE CONCRETE PULL BOX SHALL BE INSTALLED FLUSH TO SURROUNDING GRADE UNLESS OTHERWISE INSTRUCTED BY THE ENGINEER. THE CONCRETE SHALL BE CLASS "S". THREE #6 REINFORCING BARS IN THE APRON ON ALL SIDES OF THE CONCRETE PULL BOX IS REQUIRED IN CONCRETE.



11-16-17	REVISED NOTES		
09-02-15	REVISED PULL BOX DEPTH		
09-12-13	ISSUED AS STANDARD DRAWING		
05-21-09	REVISED GROUNDING		
07-31-08	ADDED & REVISED CONDUIT ENTRY		
06-23-04	REVISED CLEARANCE AT CURB ENTRY		
01-04-02	ADDED REINFORCING TO BOX APRON		
07-02-01	REVISED		
12-27-99	REVISED NOTES		
11-18-98	ISSUED		
DATE	REVISION	FILMED	

ARKANSAS STATE HIGHWAY COMMISSION
HEAVY DUTY PULL BOX
STANDARD DRAWING SD-6