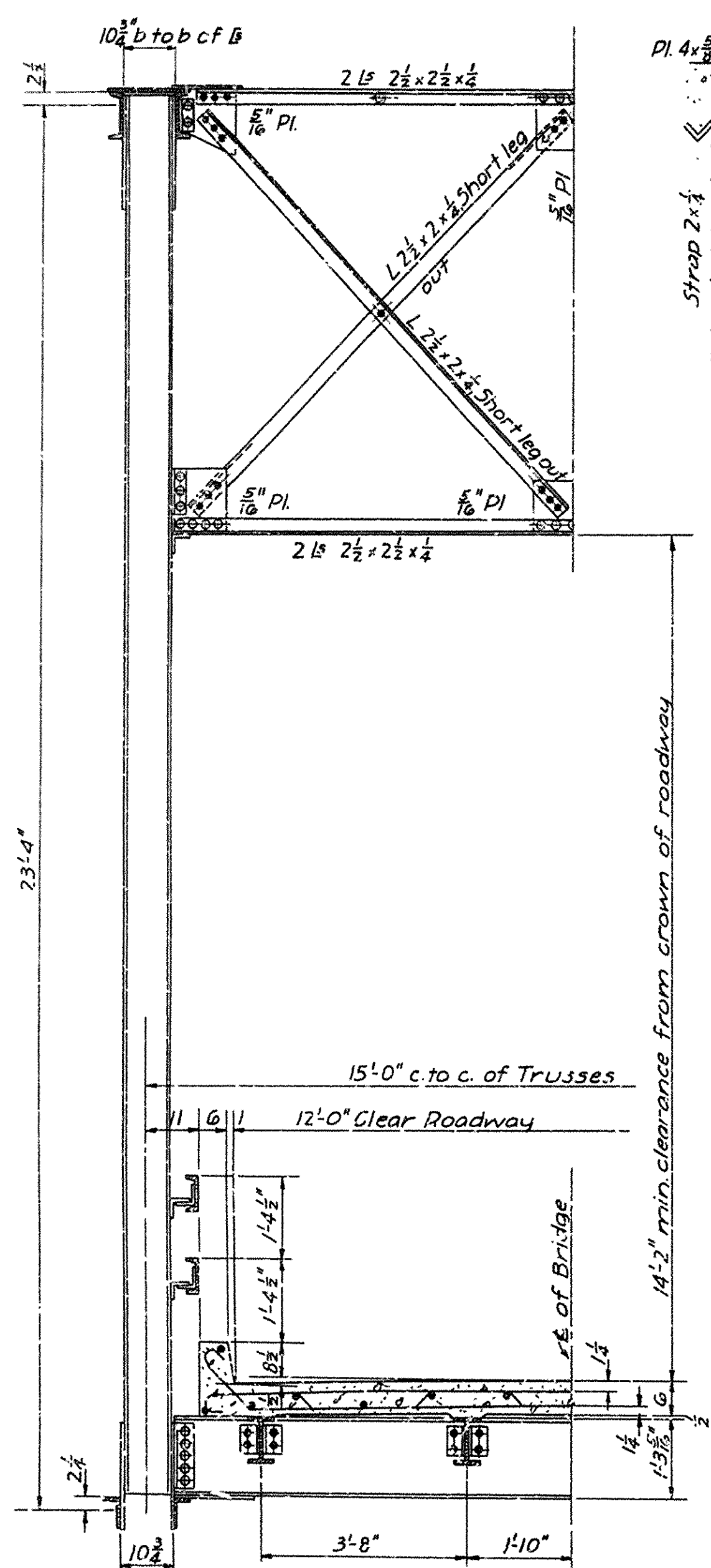


FISCAL YEAR	2015/16	SHEET NO.	TOTAL SHEET
		6	

1231 6.7



TYPICAL CROSS-SECTION

General Notes

Rivets $\frac{3}{4}$ " open holes $\frac{13}{16}$ "

All holes in truss connections to be sub-punched $\frac{3}{16}$ " and reamed to size while truss is assembled. This applies to field as well as to shop rivets.

Floor beam connections to be sub-punched $\frac{3}{16}$ " and reamed to metal template.

All field connections shall be riveted.

Shop paint: After being completely assembled and all shop work finished, all pieces shall be given one coat of red lead and raw linseed oil before shipment.

All field rivet heads and marred places of shop paint are to be spot painted with red lead and raw linseed oil before first field coat is applied.

Floor slab concrete to be Class "S".

All floor beams and stringers to be milled to exact length after framing angles have been riveted.

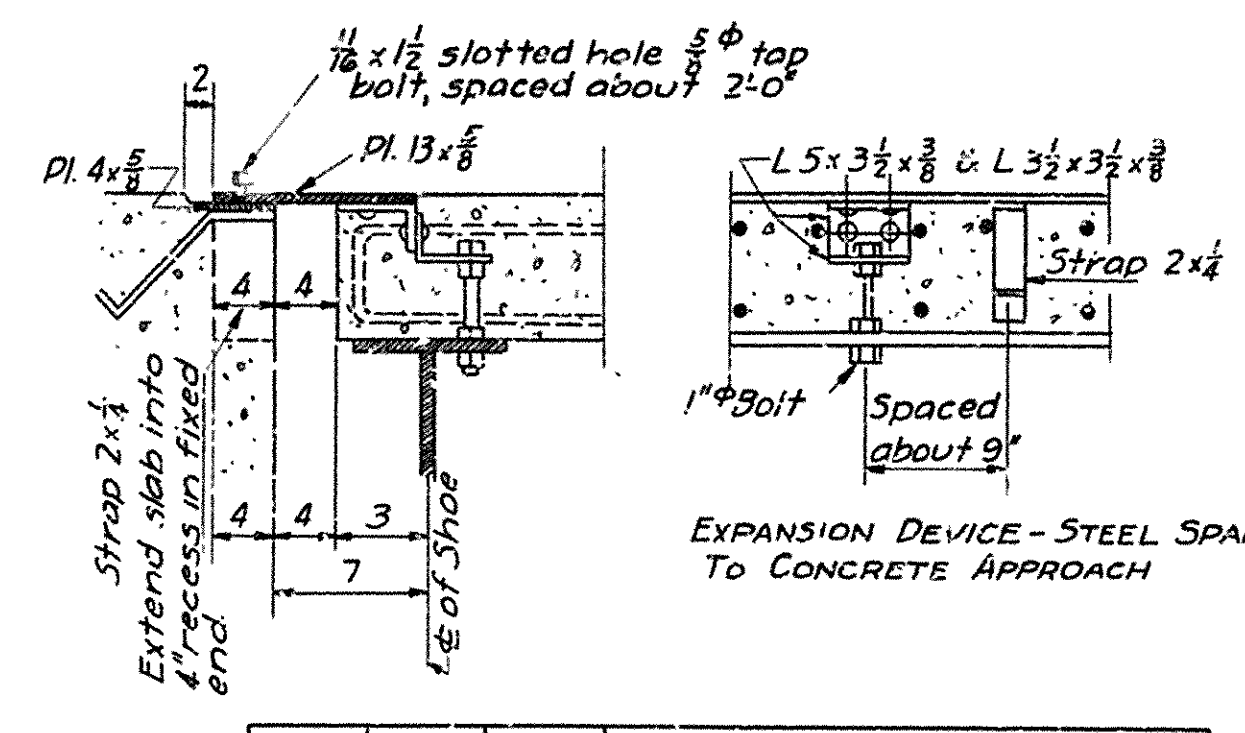
Shapes of equal or greater strength may be substituted for structural shapes shown, payment, however, will be made in accordance with sizes given on this plan.

This drawing shows general features of design only.

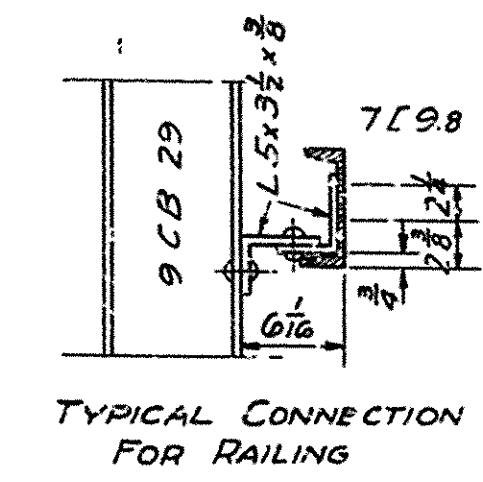
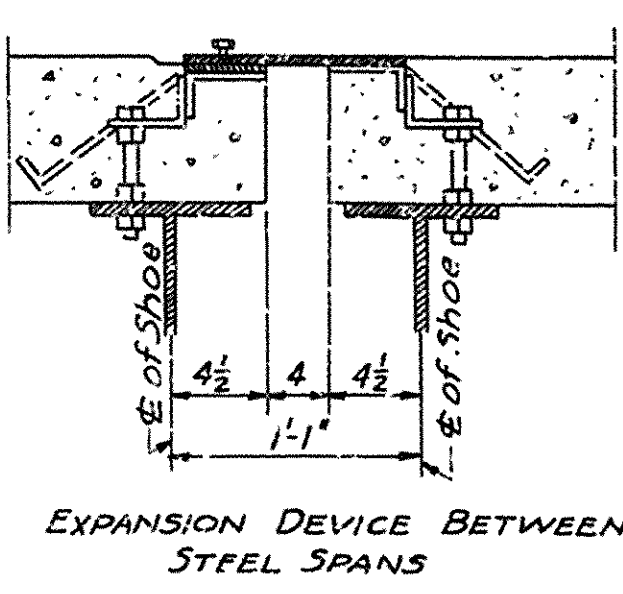
Shop drawings shall be made in compliance with specifications and be approved before fabrication is begun.

Specifications: Arkansas Standard Road and Bridge Specifications, adopted May 30th, 1925 and as revised.

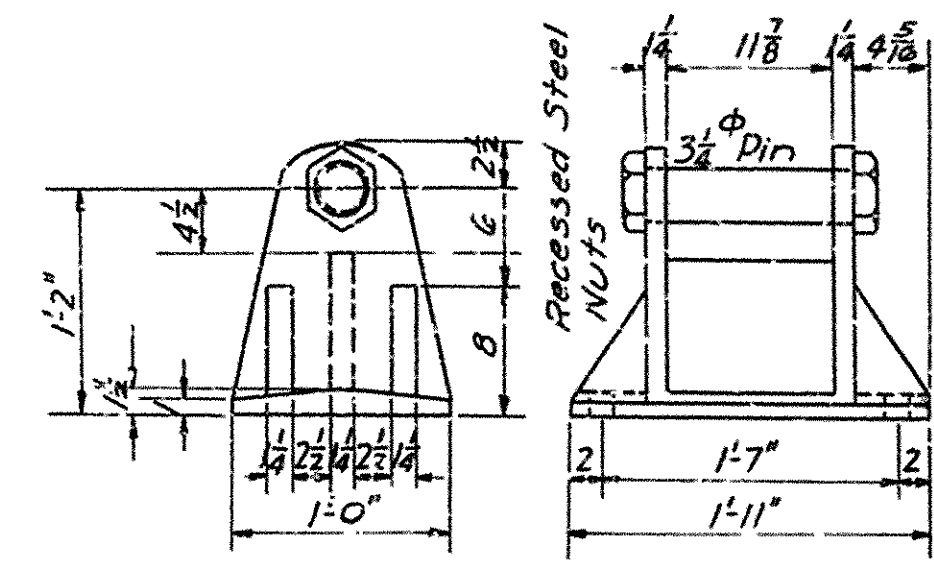
All dimensions shown are center to center of bars.



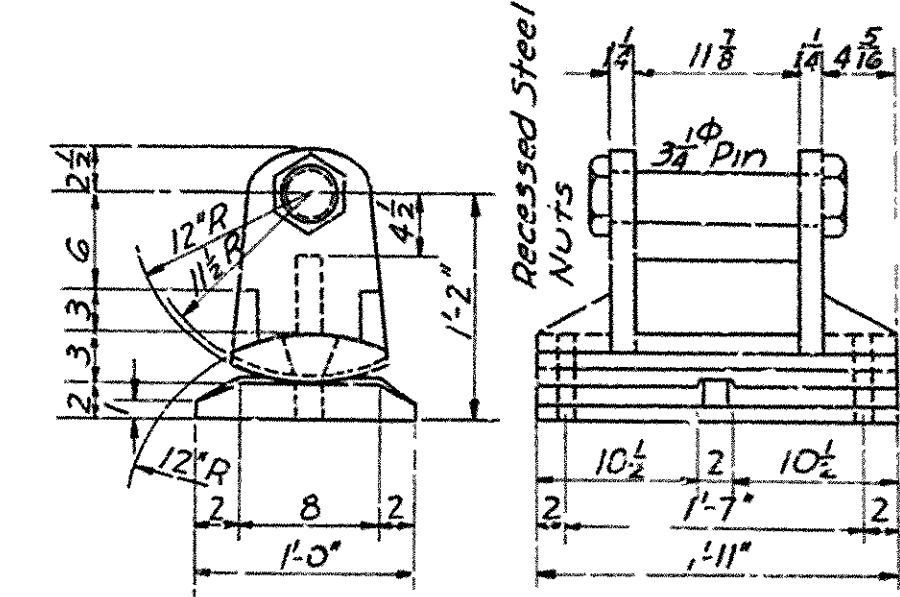
Mark	Size	Length	Bending Diagram
S1	$\frac{1}{2}$ "	13'-9"	
S2	$\frac{1}{2}$ "	14'-7"	
S3	$\frac{1}{2}$ "	14'-6"	



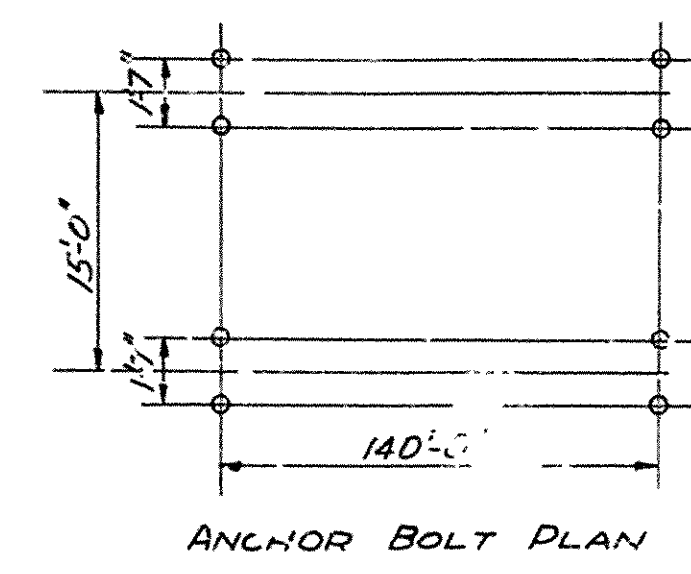
TYPICAL CONNECTION FOR RAILING



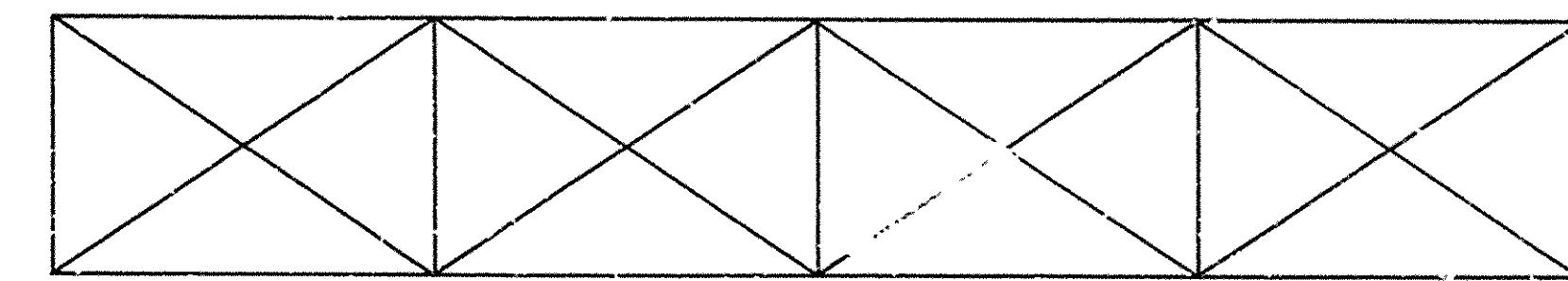
CAST STEEL SHOE-FIXED END
Holes for 2-1/2" Swedge Bolts



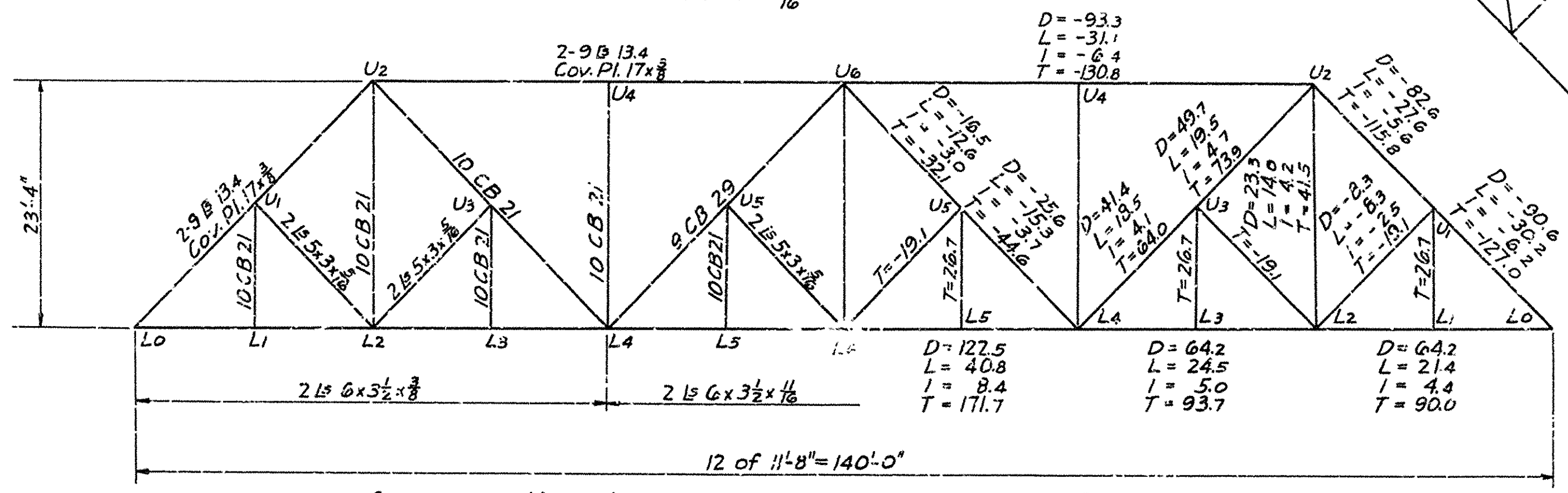
CAST STEEL SHOE-EXPANSION END
Holes for 2-1/2" Swedge Bolts



ANCHOR BOLT PLAN

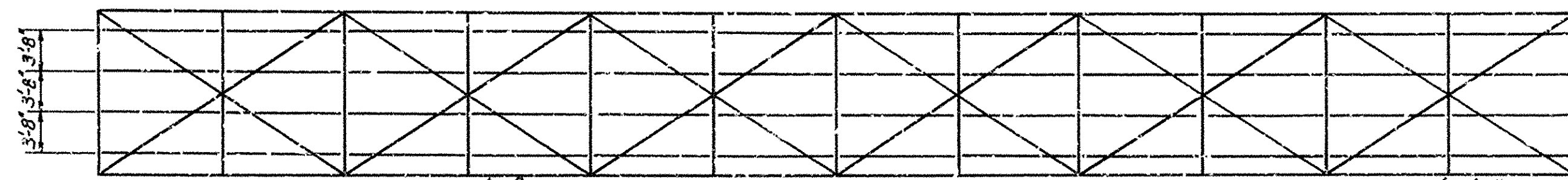


TOP CHORD BRACING
Struts: 2 L 2 1/2 x 2 1/2 x 1/4
Lateral Pls $\frac{5}{16}$ "



STRUCTURAL MAKE-UP

DESIGN STRESSES



All Laterals: L 3 x 2 1/2 x 1/8, long leg vertical

All Floor Beams: 16 CB 35, Framing L 4 x 3 x 1/2 x 1/2"
All Stringers: 9 CB 20.5, Framing L 6 x 4 x 1/8 x 5/8"

BOTTOM CHORD BRACING

This drawing to be used with drawing 2401

STANDARD PLAN
140'-0" THROUGH TRUSS SPAN
12'-0" CLEAR ROADWAY
ROUTE 560

ARKANSAS STATE HIGHWAY COMMISSION
LITTLE ROCK, ARK.

Drawn By: A. Date: 2-26-31
Traced By: J. Date: 2-2-31
Checked By: [Signature]
Scale: 1/2 in. = 1 ft.

W. B. Jones
BRIDGE ENGINEER

BRIDGE NO. DRAWING NO. 2402