

FED. ROAD DIST. No.	STATE	FED. AID PROJ. No.	FISCAL YEAR	SHEET No.	TOTAL SHEETS
6	ARK.				

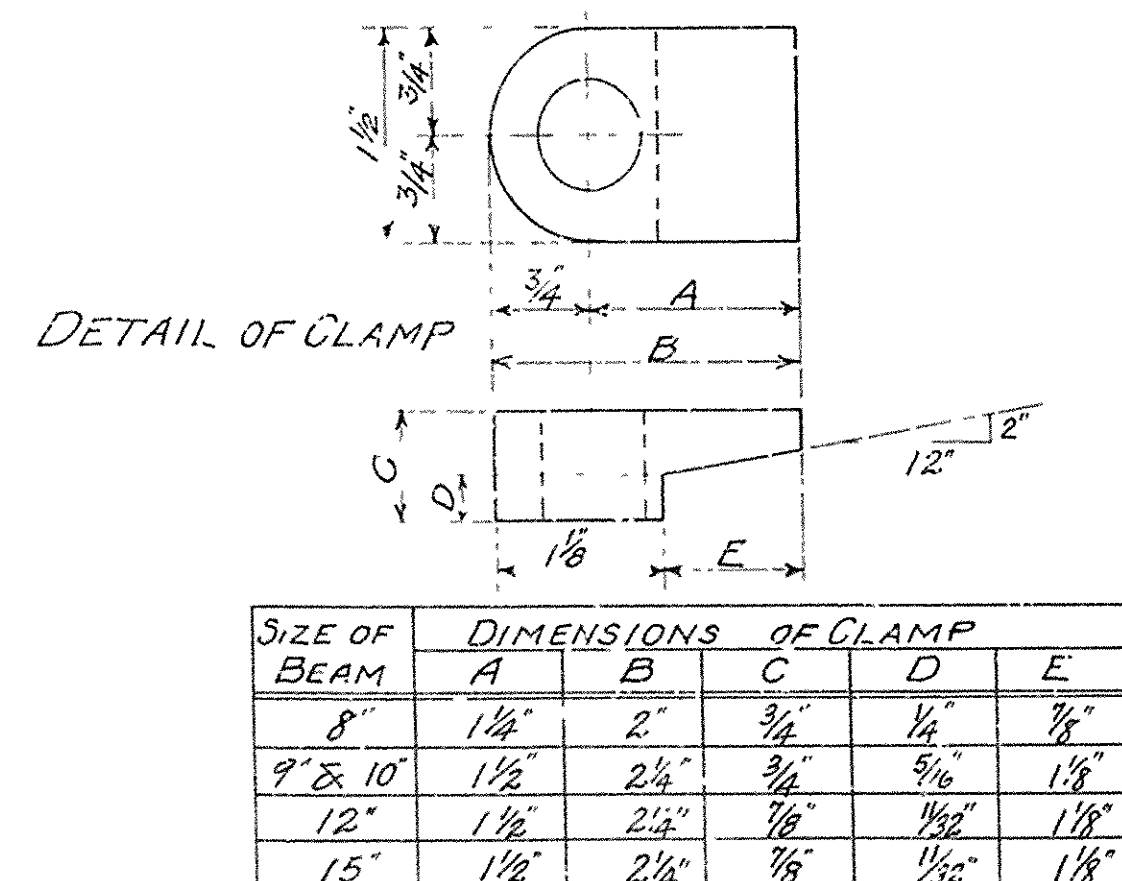
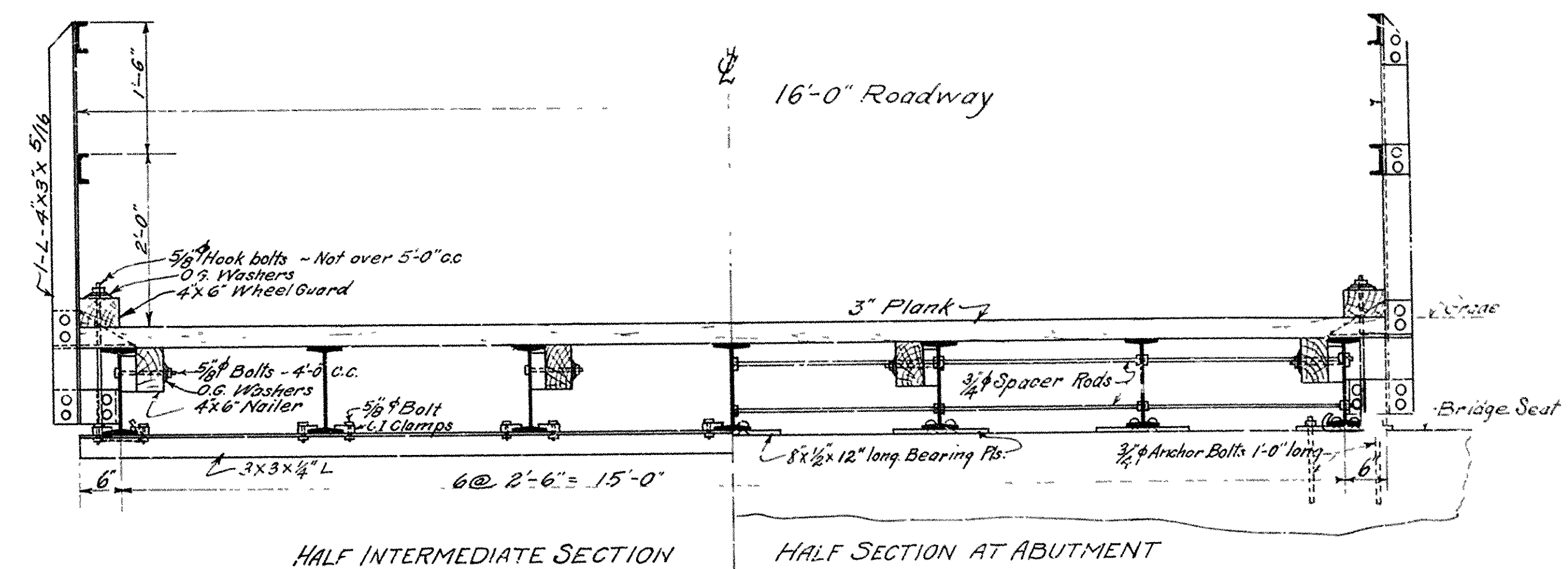
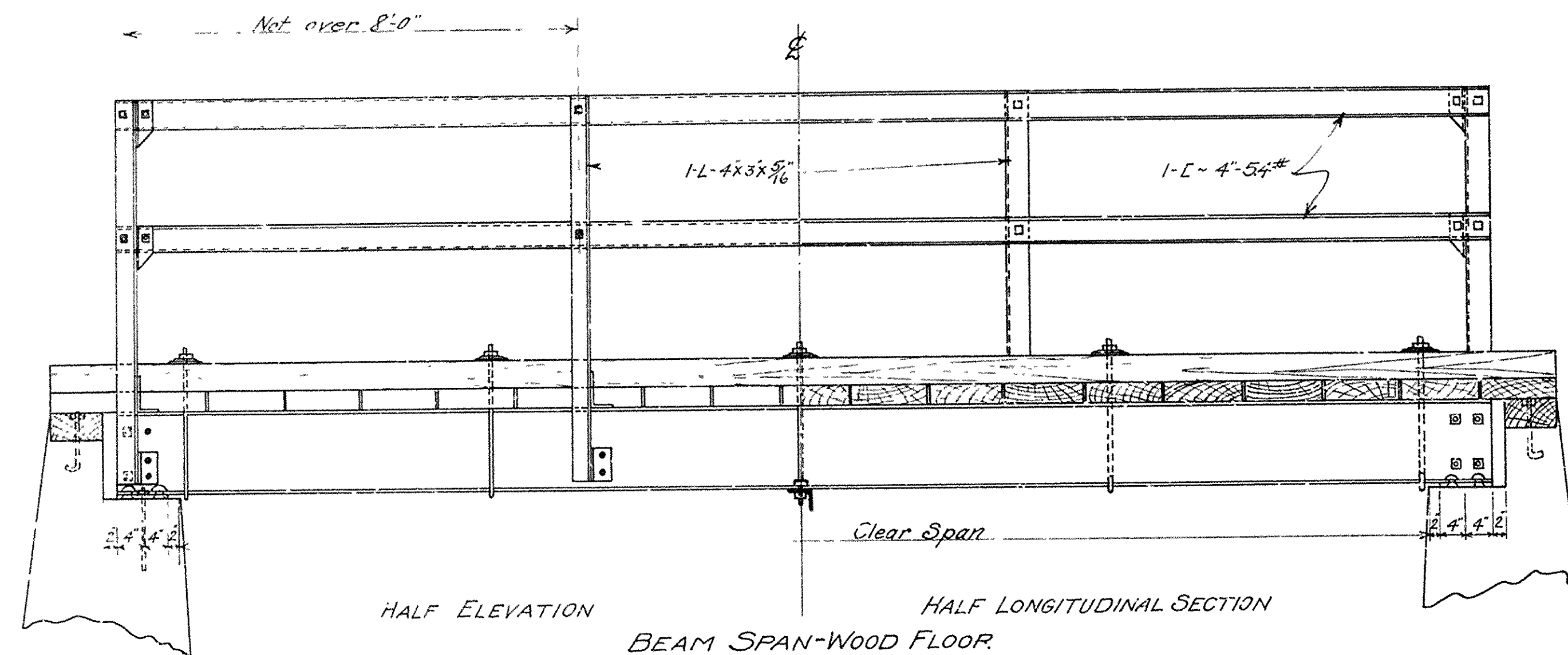
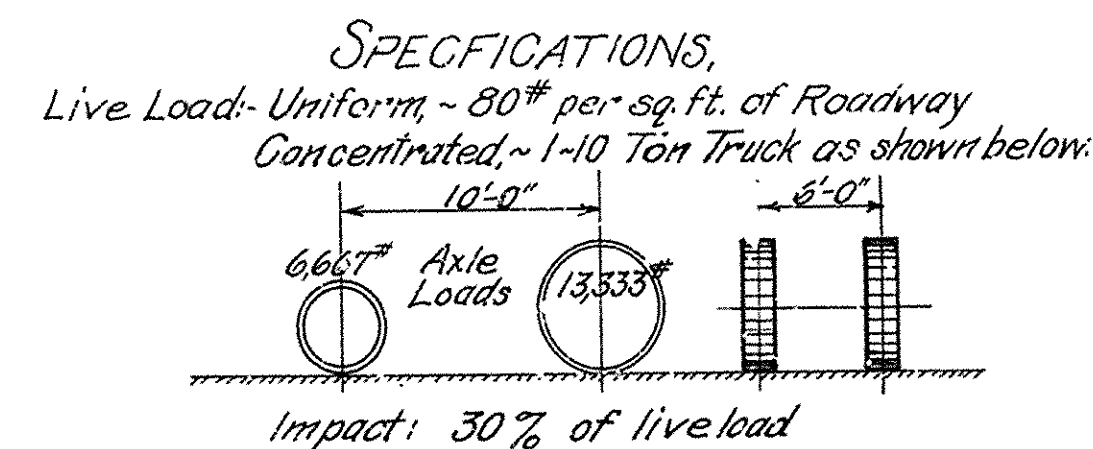


TABLE OF BEAM SIZES

CLEAR SPAN	SIZE OF T-I-BEAMS Wood Floor	CONC. FLOOR	CLEAR SPAN	SIZE OF T-I-BEAMS Wood Floor	CONC. FLOOR
			24'	12"-31.8#	
18'	10"-25.4				
			34'	15"-42.9#	



Unit Stresses: See Arkansas Highway Department Specifications.
 Distribution of concentrated load - For Wood Floor, Spacing of joists in inches divided by 48.
 Rivets - 3/4" diam. Open Holes 1/2", unless otherwise noted.
 All field connections riveted when other structural work requires field riveting, otherwise bolted.
 Shop Paint - One coat red lead and boiled linseed oil.
 Field Paint - Two coats, as approved by the engineer.

STANDARD PLAN
 STEEL BEAM BRIDGES - 16' FT. ROADWAY OUT TO OUT OF CURBS
 DESIGNED FOR ONE 10 TON TRUCK
 ARKANSAS HIGHWAY DEPARTMENT
 LITTLE ROCK, ARK.

Designed By _____
 Drawn By W.K.M. _____
 Checked By _____
 Revisions _____

APPROVED: _____
 CHAIRMAN, ARKANSAS STATE HIGHWAY COMMISSION.
 APPROVED: _____
 STATE HIGHWAY ENGINEER.
 RECOMMENDED FOR APPROVAL: _____
 STATE HIGHWAY BRIDGE ENGINEER
 March, 16 1925