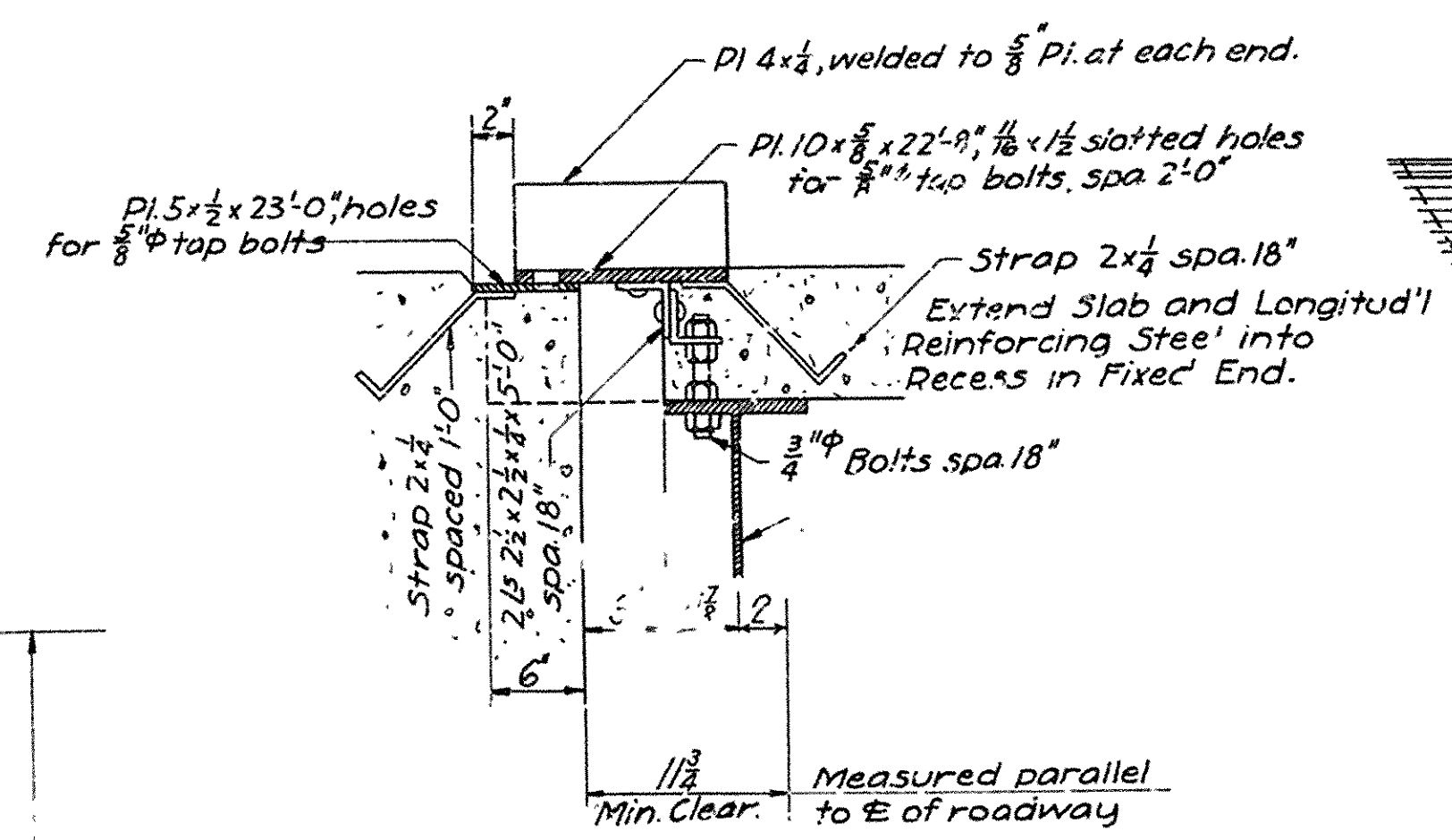
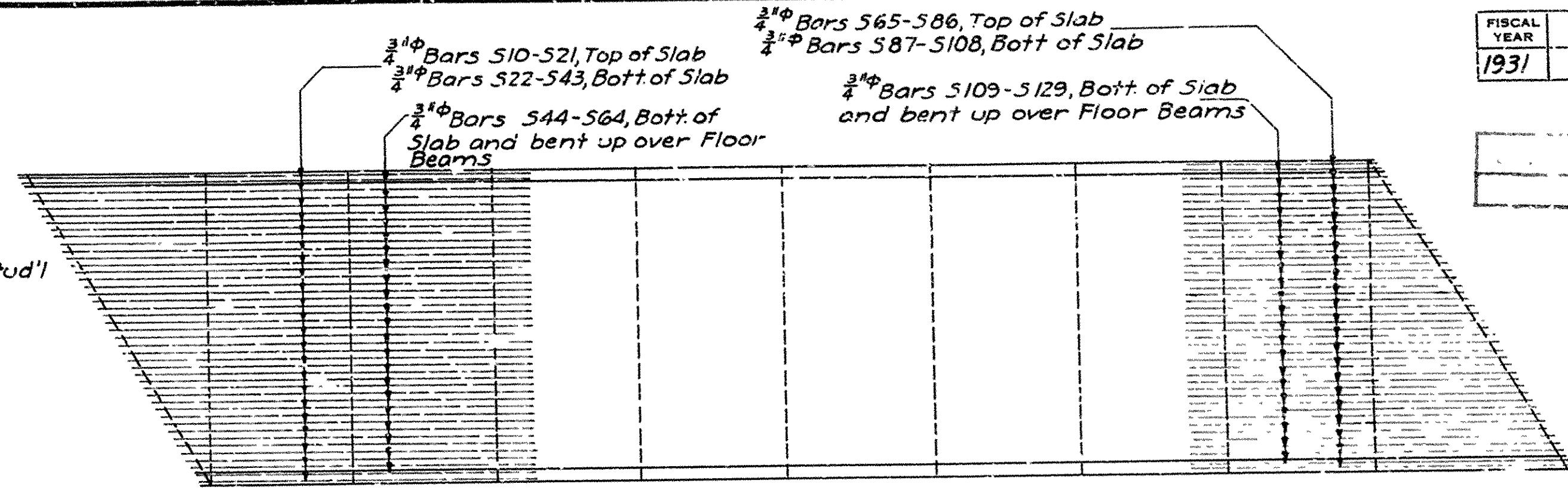


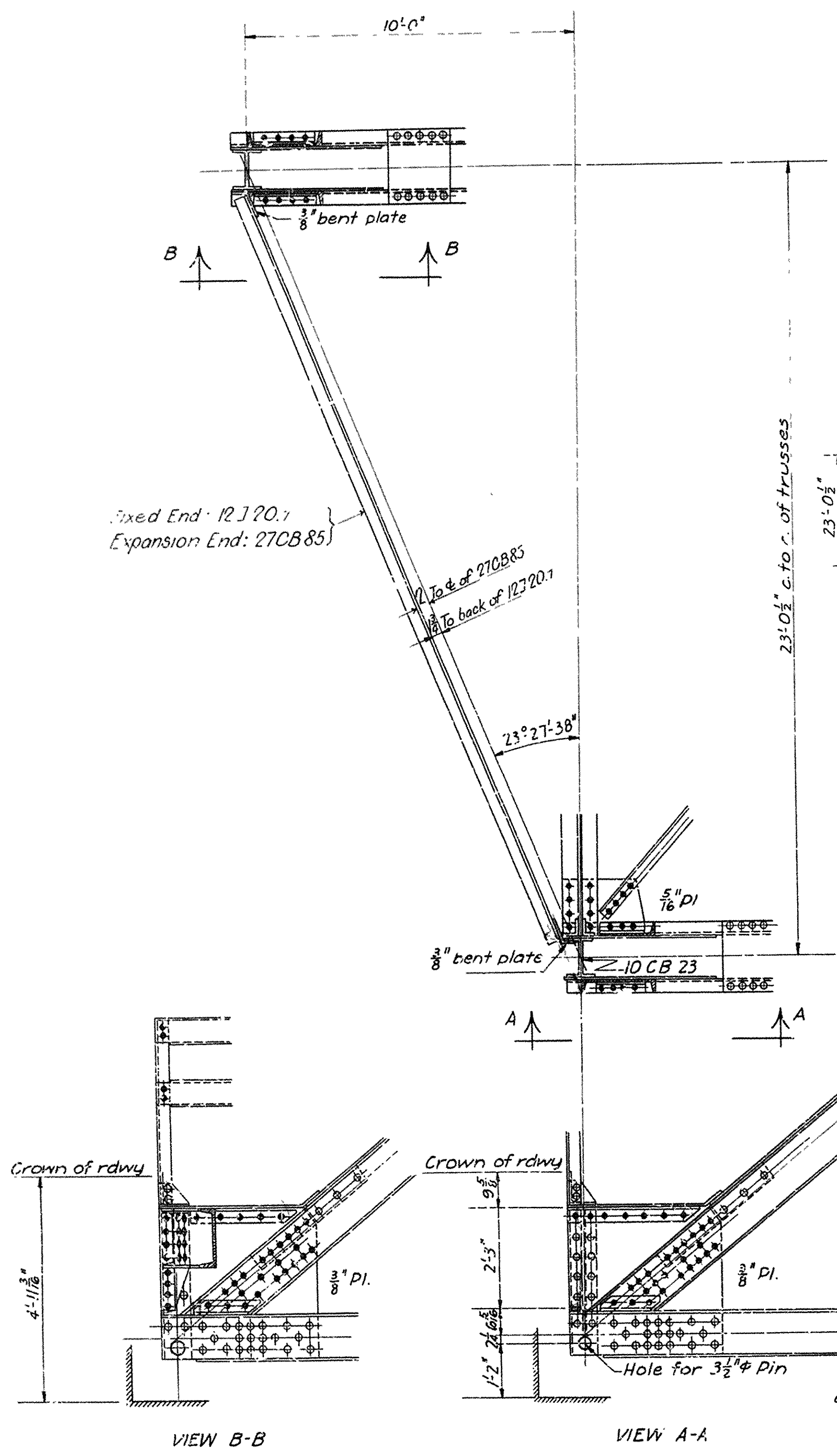
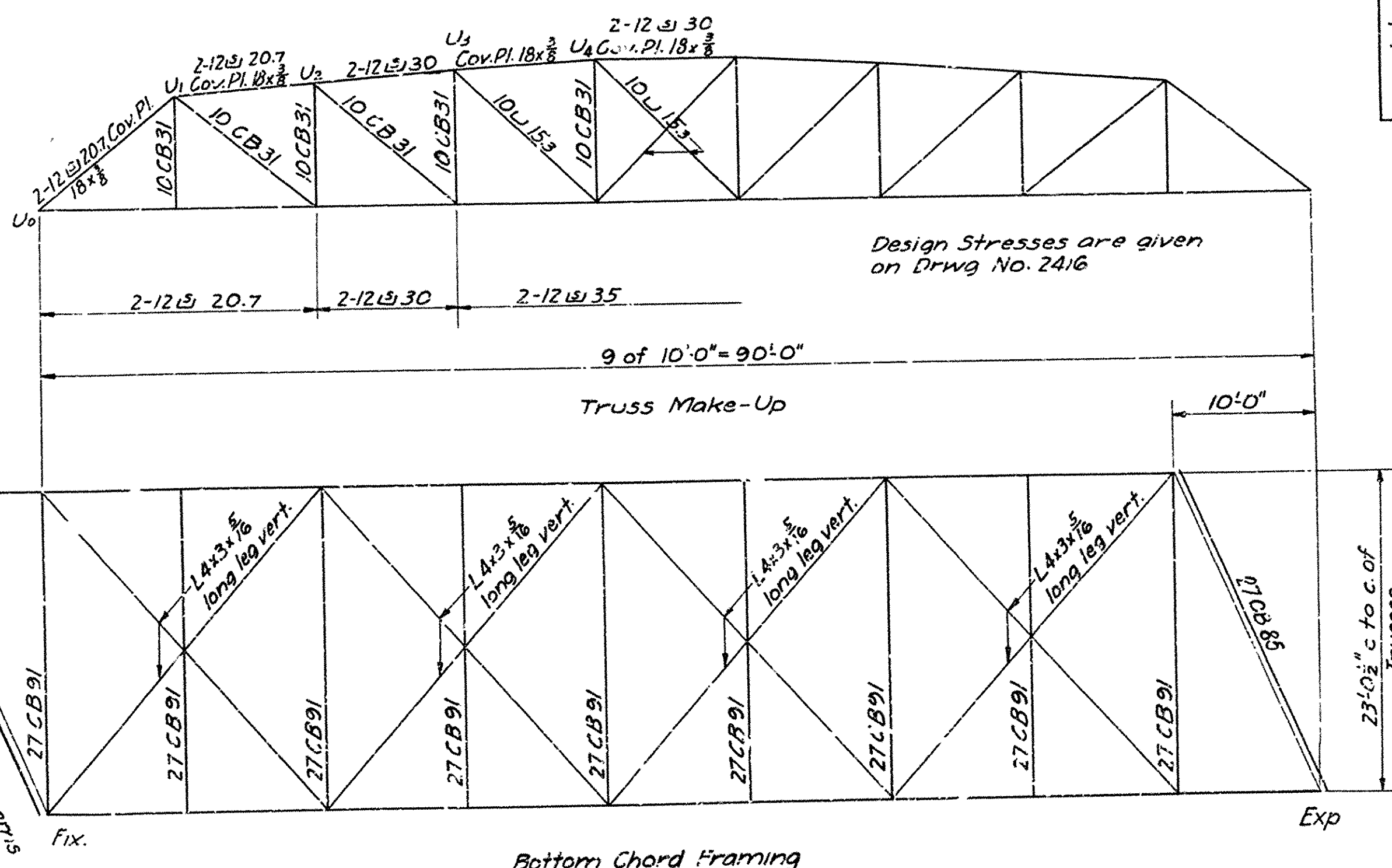
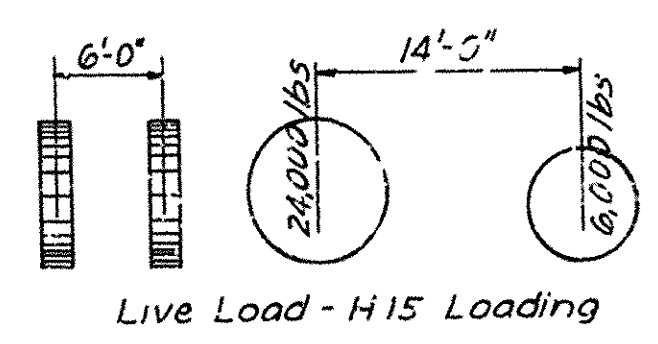
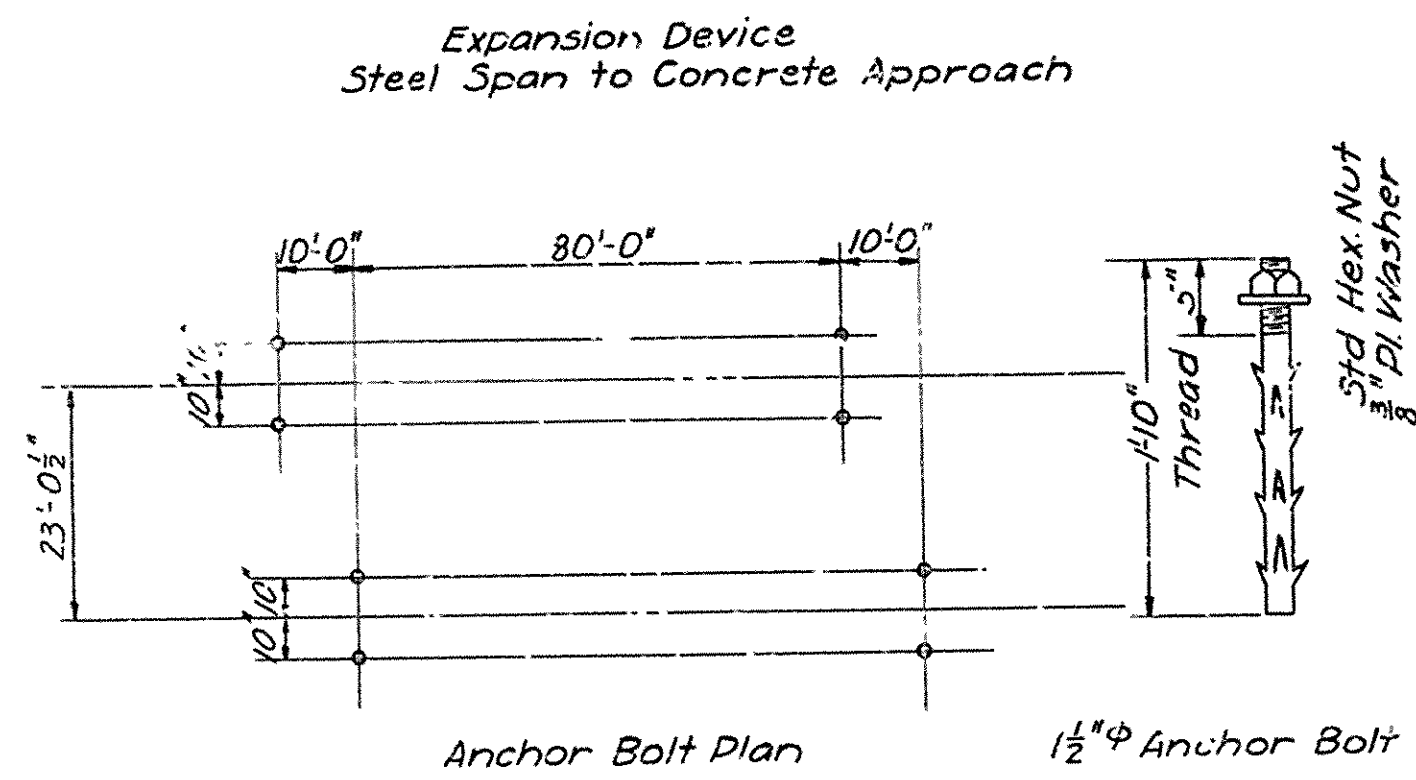
FISCAL YEAR	JOB NO.	SHEET NO.	TOTAL SHEETS
1931	8161	6	11

141-C	1931	6	11
-------	------	---	----



Mark	Size	Length	A	Bending Diagram
S44-S54	3/4"φ	Varies from 26'-2" to 30'-6"	Varies from 4'-0" to 8'-4"	
S55-S64	3/4"φ	Varies from 31'-4" to 33'-4"	Varies from 1'-3" to 5'-1"	
S12C-S129	3/4"φ	Varies from 18'-2" to 22'-0"	Varies from 1'-0" to 4'-10"	

Mark	Size	Length	A	Bending Diagram
S10-S21	3/4"φ	Varies from 28'-5" to 37'-7"	Varies from 28'-0" to 37'-2"	
S22-S43	3/4"φ	Varies from 33'-5" to 42'-7"	Varies from 33'-0" to 42'-2"	
S65-S86	3/4"φ	Varies from 17'-7" to 26'-8"	Varies from 17'-2" to 26'-3"	
S87-S108	3/4"φ	Varies from 25'-7" to 36'-2"	Varies from 25'-2" to 31'-2"	
S109-S119	3/4"φ	Varies from 15'-0" to 19'-4"	Varies from 3'-2" to 7'-6"	



For Details Not Shown and For Notes, see Drwg No. 2416

**STANDARD PLAN  
90' LOW TRUSS SPAN  
20' CLEAR ROADWAY  
ONE PANEL SKEW LEFT**

ROUTE 85C  
**ARKANSAS STATE HIGHWAY COMMISSION**  
LITTLE ROCK, ARK.  
Drawn By: *A* Date: 3-11-31  
Traced By: *SL* Date: 3-14-31  
Checked By: \_\_\_\_\_ Date: \_\_\_\_\_  
**BRIDGE NO. 1670** DRAWING NO 2417

*N. B. Sawyer*  
BRIDGE ENGINEER